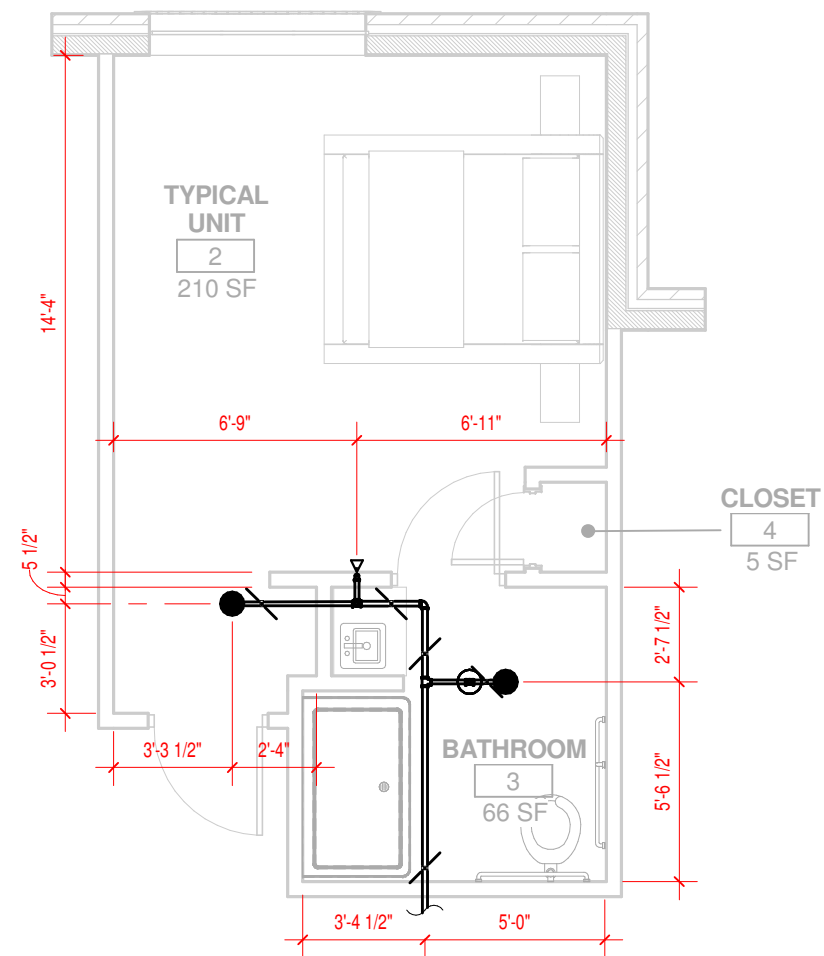

 REFLECTED CEILING PLAN - DESIGN A  
SCALE: 3/16" = 1'-0"  
NORTH

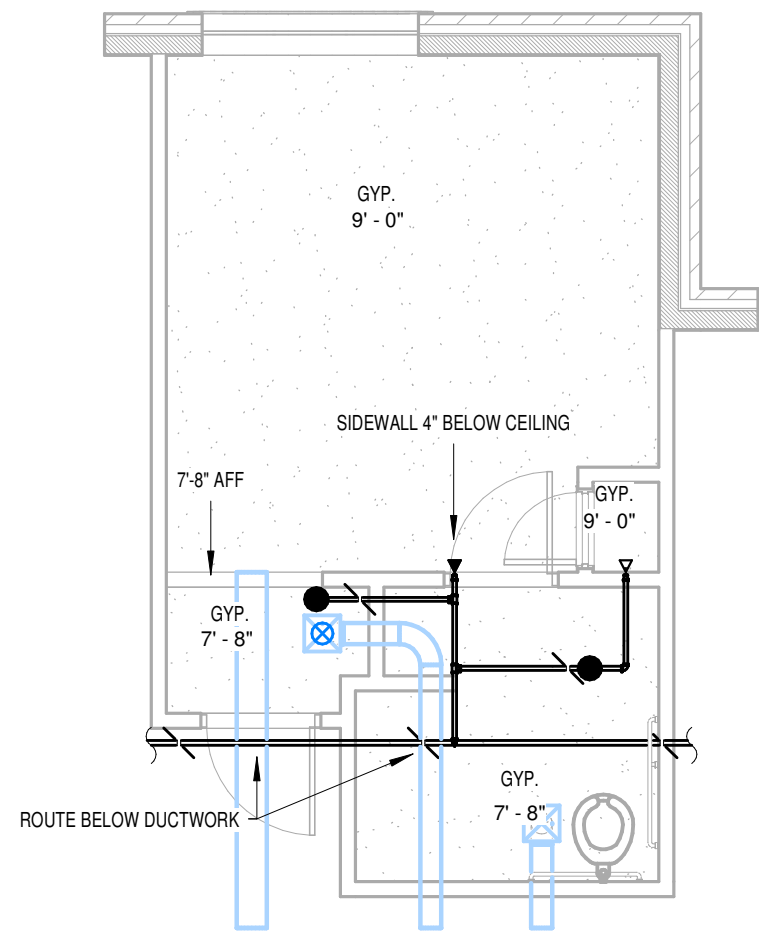


 FLOOR PLAN - DESIGN A  
SCALE: 3/16" = 1'-0"  
NORTH

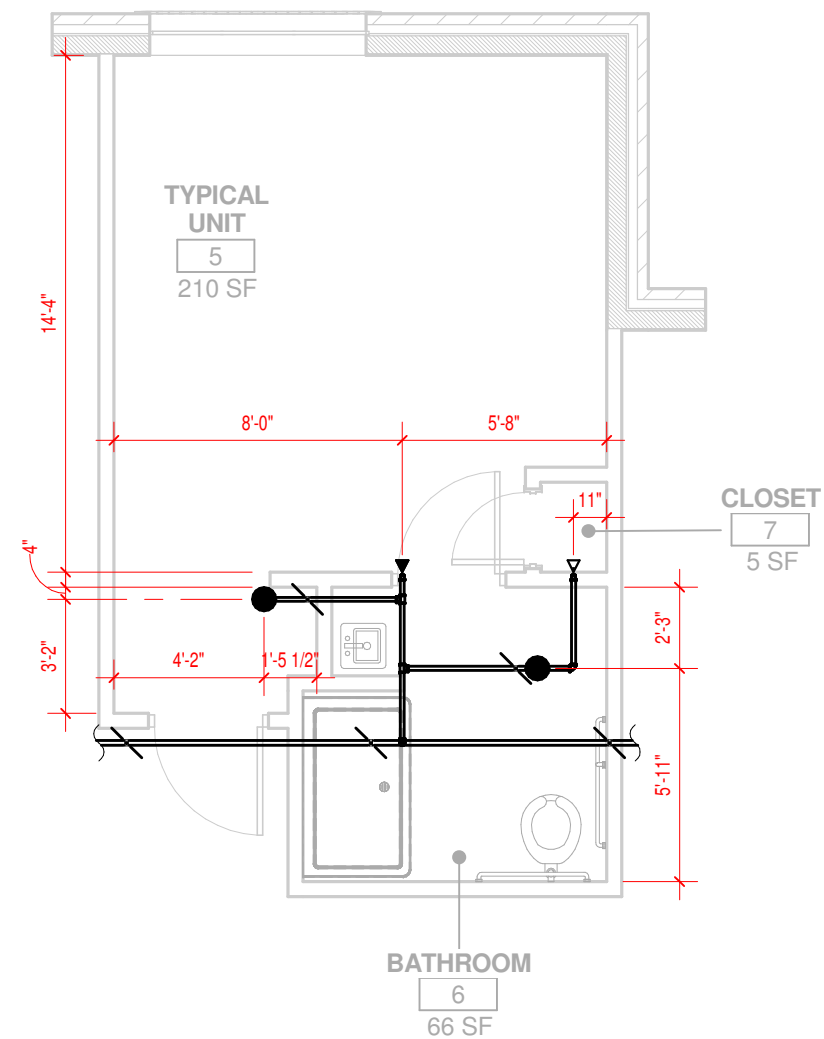
SPRINKLER SCHEDULE - DESIGN A								
Symbol	Count	Coverage	K-Factor	Response	Temperature	Thread Size	Min. Pressure	Comments
○	1	Standard	5.6	Quick	155 °F	1/2"	7	Design A
▽	1	Standard	5.6	Quick	155 °F	1/2"	7	Design A
●	2	Standard	5.6	Quick	155 °F	1/2"	7	Design A

SPRINKLER SCENARIO:  
TYPICAL SENIOR LIVING UNIT

FP-A



**REFLECTED CEILING PLAN - DESIGN B**  
 SCALE: 3/16" = 1'-0"  
 NORTH



**FLOOR PLAN - DESIGN B**  
 SCALE: 3/16" = 1'-0"  
 NORTH

SPRINKLER SCHEDULE - DESIGN B								
Symbol	Count	Coverage	K-Factor	Response	Temperature	Thread Size	Min. Pressure	Comments
▼	1	Standard	8	Quick	155 °F	3/4"	12.3	EC (16x16), Design B
▽	1	Extended	5.6	Quick	155 °F	1/2"	7	Design B
●	2	Standard	5.6	Quick	155 °F	1/2"	7	Design B

SPRINKLER SCENARIO:  
**TYPICAL SENIOR LIVING UNIT**

**FP-B**